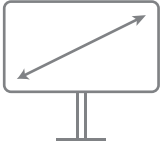
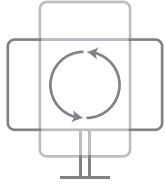


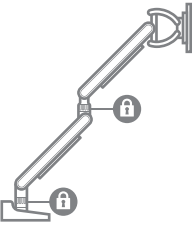
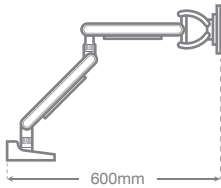
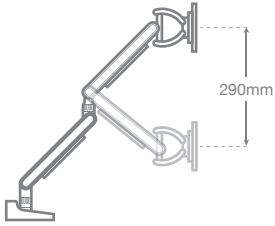
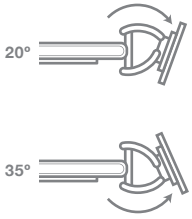


zq1

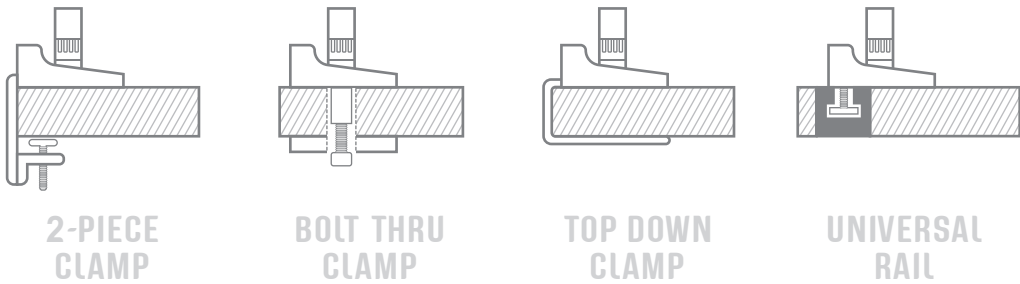


zgonic

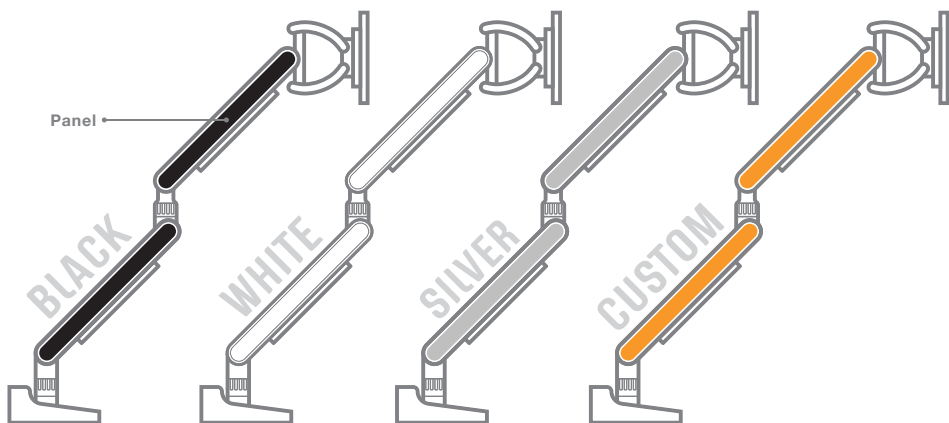
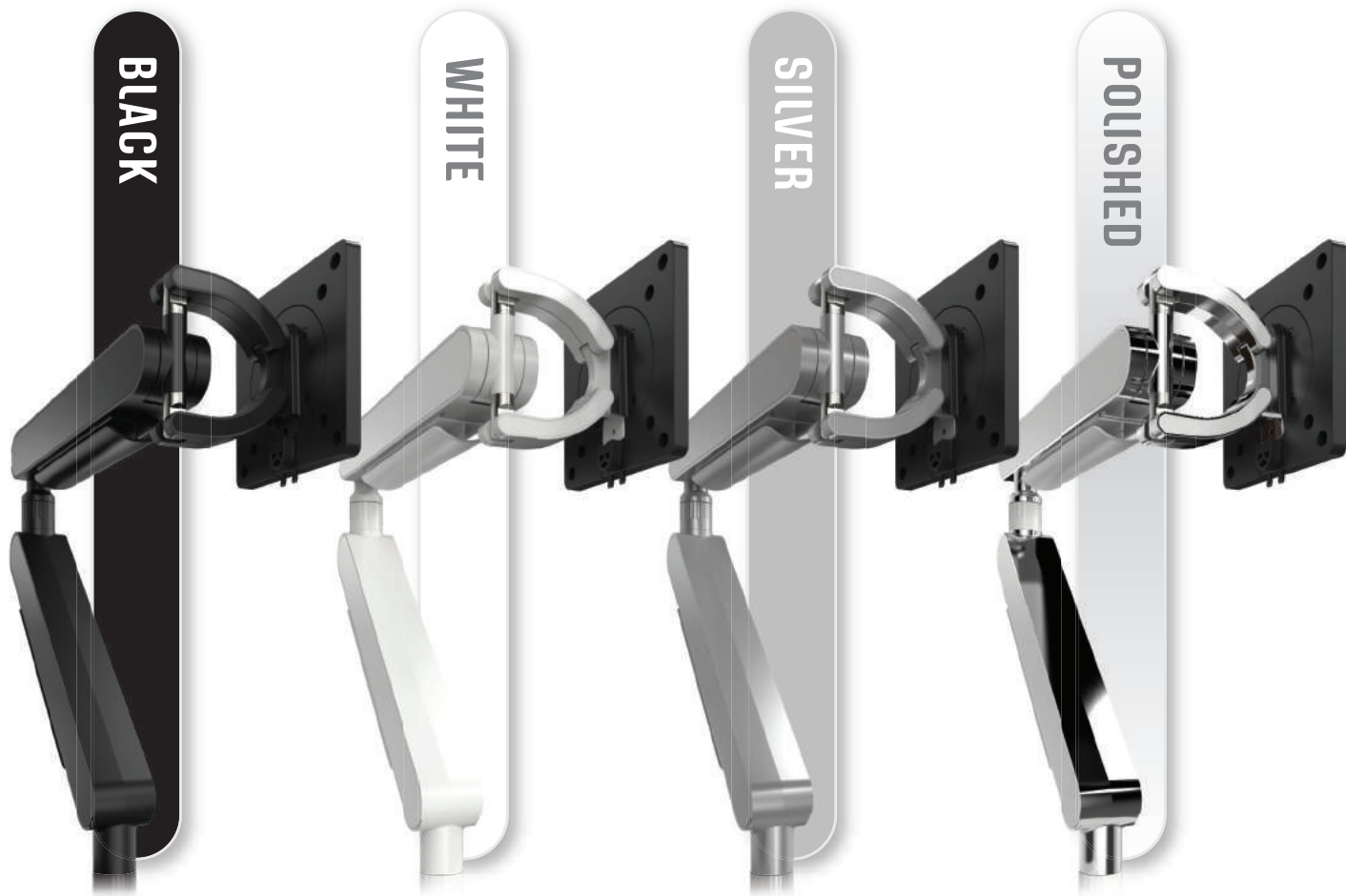
 <p>Monitor Size Supportable 17" - 38" (Monitor size for reference only; Weight supportable should be key factor)</p>	 <p>Monitor Pivot Range 360°</p>	 <p>Monitor Weight Supportable 3 - 11kg (6.6 - 24.2lbs)</p>	 <p>VESA Compliance 75mm² & 100mm²</p>
 <p>Arm Swivel Range (CW/CCW)² 180° / 360° (With 180° lock-out feature to protect walls and screens)</p>	 <p>Extended Arm Reach (From Desk Edge) 600mm</p>	 <p>Vertical Arm Adjustment Range 290mm</p>	 <p>Monitor Tilt Range Forward 20° & Backward 35°</p>

<p>Quick Release for VESA Attachment :</p>	<p>For ease of monitor replacement</p>
<p>Quick Release for Mounting Attachment :</p>	<p>For ease of transition to crossbar mounting</p>
<p>Warranty Period :</p>	<p>Limited 10 years</p>
<p>Sustainability :</p>	<p>29% recycled and 99% recyclable content</p>
<p>Cable Management :</p>	<p>Semi concealed within upper and lower arm</p>

TYPES OF CLAMPS



BODY COLOURS



MAGNETIC PANELS

- Black**
 - White**
 - Silver**
 - Custom**
- Create your own colour or design

