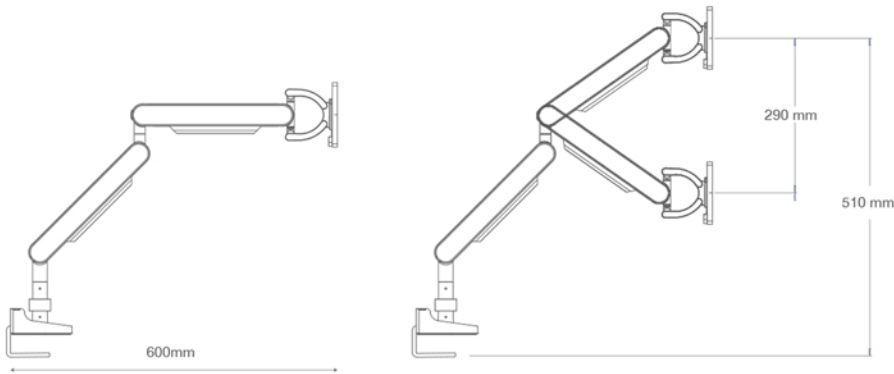
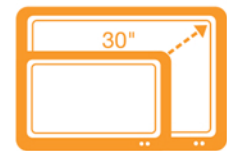


zg?



Collaboration
at work

Monitor Size Supportable:	2 x 24" to 30"max <small>(Monitor Size for reference only; Weight Supportable should be key factor)</small>
Monitor Weight Supportable:	3~11 kg (6.6~24.2lbs) per Monitor
Extended Arm Reach (from Desk Edge):	600 mm
Vertical Arm Adjustment Range:	290 mm
VESA Compliance:	75 mm ² and 100 mm ²
Arm Swivel Range (CW/CCW) ² :	360° <small>(With 180° lock-out feature to protect walls and screens)</small>
Monitor Pivot Range:	360°
Monitor Tilt Range:	Forward 20° / Backward 35°
Quick Release for VESA Attachment:	For ease of Monitor replacement
Quick Release for Mounting Attachment:	For ease of transition to Laptop mounting
Desk Fixing Options:	Top down desk clamp
Standard Clamp Thickness Range:	16-33 mm / 33-50 mm
Warranty Period:	Limited 10 Years
Sustainability:	29% recycled and 99% recyclable content
Cable Management:	Semi concealed within upper and lower arm



Strong support
capabilities



Mix and match
combinations

Package content:

Top down clamp	x1
Zgo Arm	x2
Colour Panel	x2
Display Mount	x2
Screws, M4	x2
Quick Setup Guide (QSG)	x1

Colour Panel :



www.zgonic.com

@zgonic