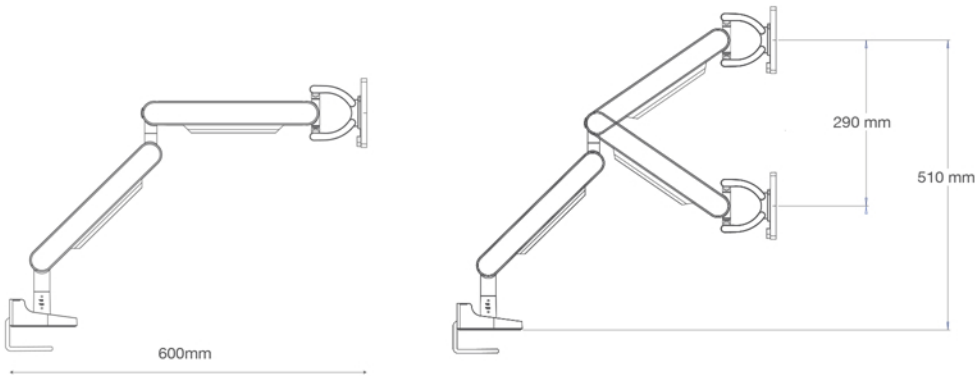




zg1



Top Down Clamp

Monitor Size Supportable:	17" to 34" <small>(Monitor Size for reference only; Weight Supportable should be key factor)</small>
Monitor Weight Supportable:	3~11 Kg (6.6~24.2lbs)
Extended Arm Reach (from Desk Edge):	600 mm
Vertical Arm Adjustment Range:	290 mm
VESA Compliance:	75 mm ² and 100 mm ²
Arm Swivel Range (CW/CCW) ² :	360° <small>(With 180° lock-out feature to protect walls and screens)</small>
Monitor Pivot Range:	360°
Monitor Tilt Range:	Forward 20° / Backward 35°
Quick Release for VESA Attachment:	For ease of Monitor replacement
Quick Release for Mounting Attachment:	For ease of transition to Crossbar Mounting
Desk Fixing Options:	Top down Desk Clamp
Standard Clamp Thickness Range:	16-33 mm / 33-50 mm
Warranty Period:	Limited 10 Years
Sustainability:	29% recycled and 99% recyclable content
Cable Management:	Semi Concealed within upper and lower arm



Wide Colour Range



180° Lock

Colour Panel :



Package content:

Top Down Desk Clamp	x1
Zgo Arm	x1
Colour Panel	x1
Display Mount	x1
Screws, M4	x1
Quick Setup Guide (QSG)	x1



www.zgonic.com

@zgonic