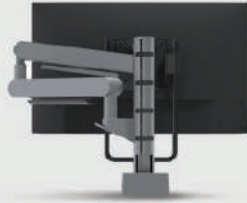




The unique features of Zgo Monitor Arms are now available in a Post System that mounts Individual arms from above the surface, which saves additional desk space over surface mounted arms.

zpx

Single



Dual



Two Over Two



Triple



Three Over Three

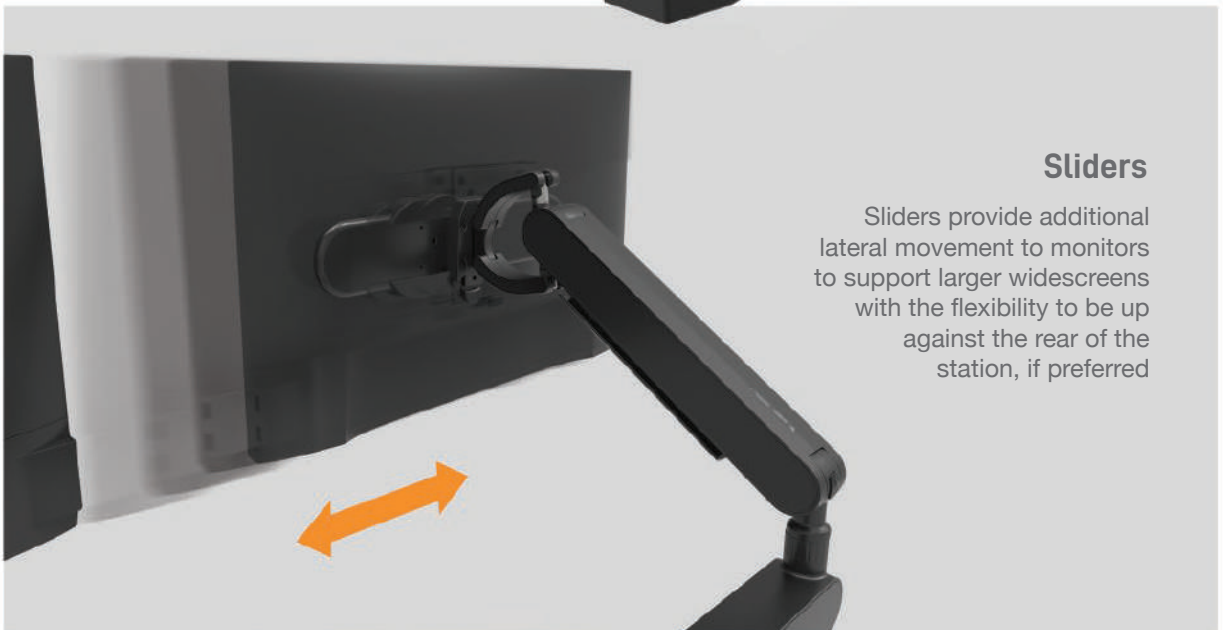
A Totally Scalable Solution

Easily installs and upgrades by adding additional monitors without disturbing the original setup – from 1 to 6 monitors

Full Range Adjustability

Modular Design

ZPX makes reconfiguring simple, which reduces future installation costs. Unlike other systems, the individual arm mounts (shoulders) easily slide up/down the post to update your configuration tool-less at any time.



Sliders

Sliders provide additional lateral movement to monitors to support larger widescreens with the flexibility to be up against the rear of the station, if preferred

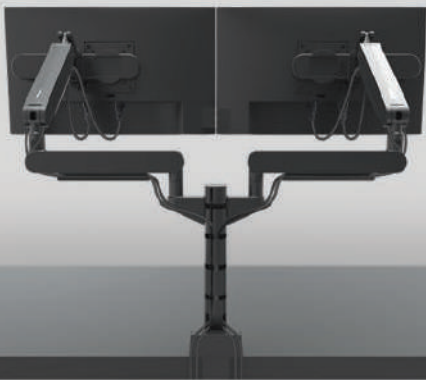
Workstation Efficiency

Superior cable management

ZPX conceals all cables through the entire length of the post in contrast to competitive systems that “clip” the cables to the rear of the post, which can look messy and disorganized.

Patent-pending Dial-Stop

This exclusive feature is the only solution that allows the user to customize the rotation of the arm at any time after installation, which provides individual flexibility for the user while protecting equipment and providing safety to personnel by preventing overhang into aiseways.



Heavy-Duty Support

Like all Zgo Monitor Arms, each arm holds up to 24.3 pounds allowing the same arm to support all your displays up to 38" monitors. Overall, ZPX supports up to 90 lbs of monitors in the same monitor support solution.



Compatible with all ZGO Arms and their features

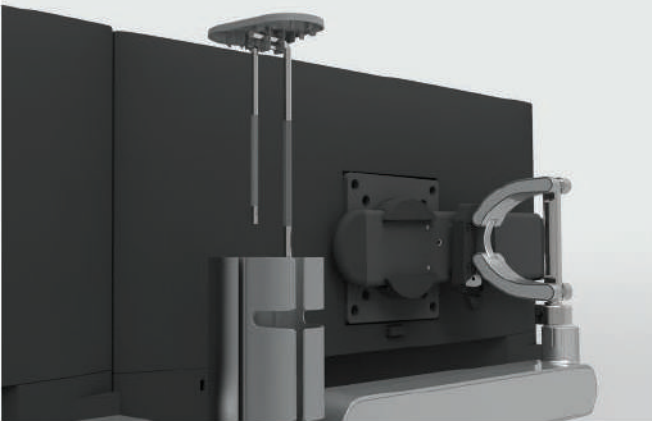
Customized Side Panels

Only Zgo provides customized side panels that allow you to choose from any color, design, logo, signage or graphic for each individual monitor arm



Hidden Tools Compartment

Providing the only tools you need right in the arm.



Integrated Docking Station

The only Slide-Up Integrated Docking Station, which saves space, eliminates cable clutter and increases usable workspace.



Monitor Handle for All Arm Styles

Zgo arms offer the most intuitive adjustment with a handle available for every monitor that, with the touch of a finger, allows effortless positioning where the user is most comfortable, healthy and productive.

Specification

| | |
|---------------------------------|--|
| Maximum Arm Weightload | 24.3 lbs. |
| Maximum Post Weightload | 90 lbs. |
| Arm Support | Up to 3 monitor per row, 2 rows, 6 monitors |
| Monitor Height Adjustment Range | Total: 11.7", 5.9" above and 5.8" below mounting point |
| Monitor Depth Adjustment Range | 24.9" fully extended to 3.4" in front of post |
| Arm Length | Straight: 13.9" Straight/Straight: 24.3" Straight/Dynamic: 24.9" |
| Post diameter | 1.7" |
| Monitor Mount (Shoulder) Length | Centerpoint of post to centerpoint of arm insert: 2.8" |
| Post Heights | 12" for single Row, 24" for Dual Row |
| Zslider VESA Plate Adjustment | 4.4" of lateral adjustment at end of arm |
| Mounts Available | Clamp Mount, Sliding Desk Clamp Mount, Bolt-Through Mount, Rail Mount |
| Monitor Support Brackets | Individual "Shoulders" slide vertically along full length of post and lock into place tool-lessly using a locking lever |
| Cable Management | Full length of post, with slotting for ease of installation or removal Full length of each Monitor Arm link, with easy access to right and left for installation or removal |
| Materials | Aluminum, ABS, POM, Nylon and Steel |
| Sustainability | 29% recycled and 99% recyclable content |
| Installation Tools placement | Hidden in the top post, suspended from top cap |
| Warranty | Limited 10-year warranty for 24/7 usage |



Black



Silver

