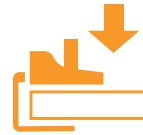
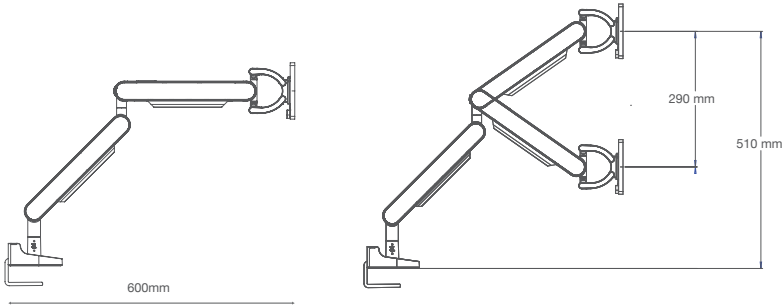




zg1



Top Down Clamp

Monitor Size Supportable: 17" to 34" (Monitor Size for reference only; Weight Supportable should be key factor)

Monitor Weight Supportable: 3~11 Kg (6.6~24.2lbs)

Extended Arm Reach (from Desk Edge): 600 mm

Vertical Arm Adjustment Range: 290 mm

VESA Compliance: 75 mm² and 100 mm²

Arm Swivel Range (CW/CCW): 360° (With 180° lock-out feature to protect walls and screens)

Monitor Pivot Range: 360°

Monitor Tilt Range: Forward 20° / Backward 35°

Quick Release for VESA Attachment: For ease of Monitor replacement

Quick Release for Mounting Attachment: For ease of transition to Crossbar Mounting

Desk Fixing Options: Top down Desk Clamp

Standard Clamp Thickness Range: 16-33 mm / 33-50 mm

Warranty Period: Limited 10 Years

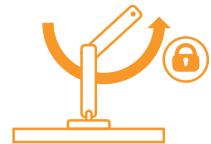
Sustainability: 29% recycled and 99% recyclable content

Cable Management: Semi Concealed within upper and lower arm

Colour Panel :



Wide Colour Range



180° Lock

Package content:

Top Down Desk Clamp	x1
Zgo Arm	x1
Colour Panel	x1
Display Mount	x1
Screws, M4	x1
Quick Setup Guide (QSG)	x1



www.zgonic.com

@zgonic @zgonic_official @zgonic